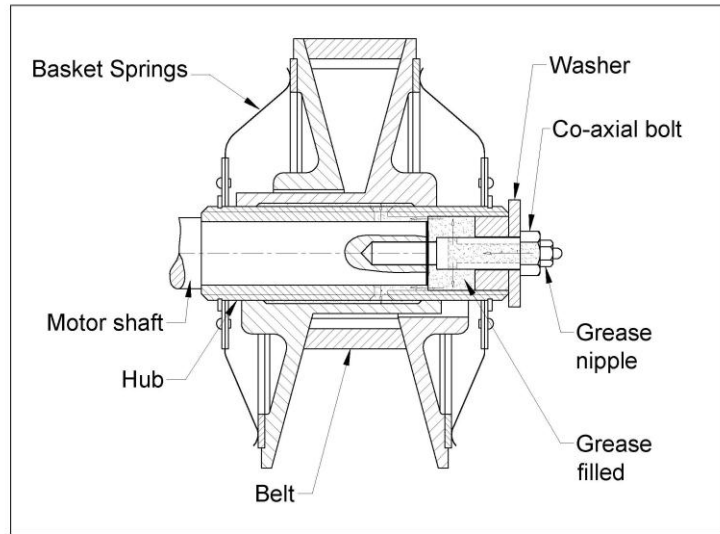


Swati Variable Speed Pulley for Heidelberg offset & finishing equipments



Swati Variable Speed Pulley for KORD 64

kW	Power HP	RPM	Bore Ø With Keyseat	Type	Ø D	L	Belt Section
3.7	5 HP	1440	30 (8 x 3.3)	VSP 30:30	270	148	47 x 13



Swati Variable Speed Pulley for GTO

kW	Power HP	RPM	Bore Ø With Keyseat	Type	Ø D	L	Belt Section
1.5	2 HP	1440	22 (6 x 2.8)	GTO Single Color	185	110	28 x 8
2.2	3 HP	1440	28 (8 x 3.3)	GTO Two Color	210	125	37 x 10
5.5	7.5 HP	1440	38 (10 x 3.3)	GTO Four Color	250	164	47 x 13