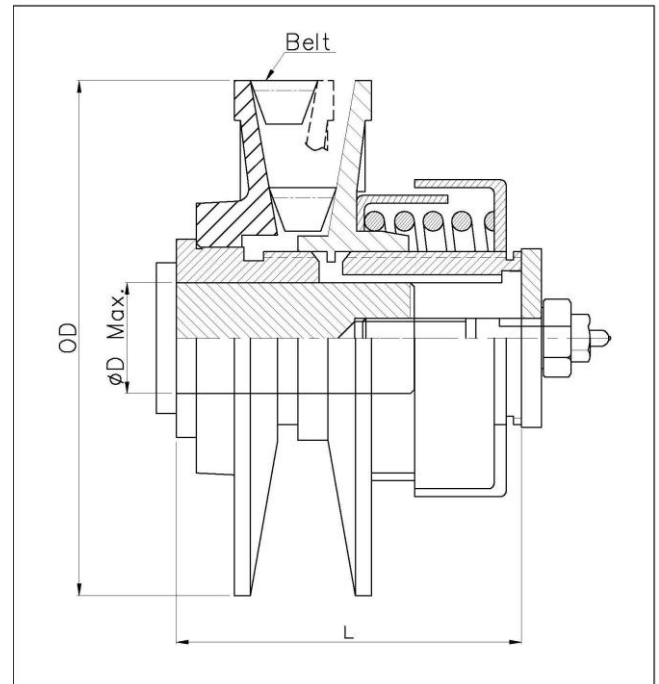
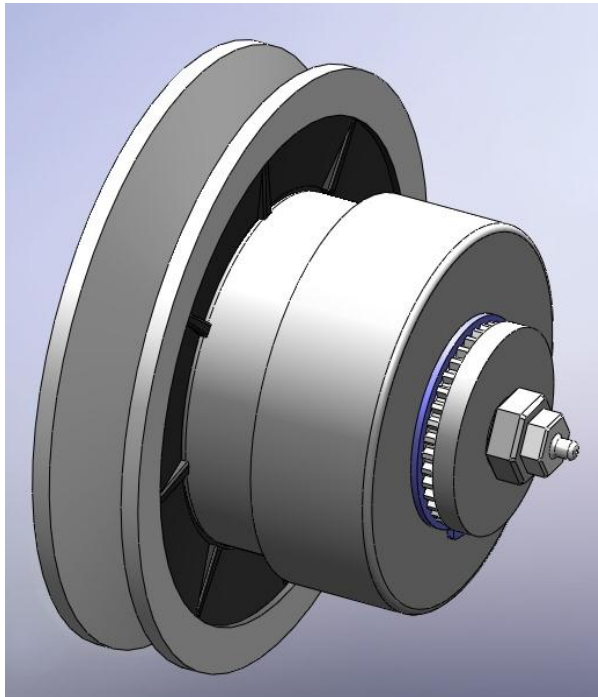


Swati Variable Speed Pulley for agricultural equipments



Swati Variable Speed Pulley for KORD 64

kW	Power HP	RPM	Bore Ø With Keyseat	Type	Ø D	L	Belt Section	
0.75	1 HP	1440	19 (6 x 2.2)	VSP 100	100	87	13 x 8	
1.5	2 HP	1440	24 / 28 (8x 3.3)	VSP 130	130	87	17 x 11	
2.2	3 HP	1440	24/25/28 (8 x 3.3)	VSP 150	155	87	22 x 14	